

Product Environmental Profile

Niloé™

**2 P+E German Standard Socket - Automatic Terminal
Screw Mounting - White**



LEGRAND'S ENVIRONMENTAL COMMITMENTS

• **Incorporate environmental management into our industrial sites**

Of all Legrand sites worldwide, over 85% are ISO 14001-certified [sites belonging to the Group for more than five years].

• **Offer our customers environmentally friendly solutions**

Develop innovative solutions to help our customers design more energy efficient, better managed and more environmentally friendly installations.

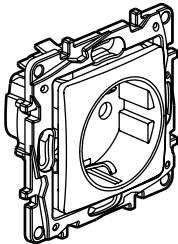
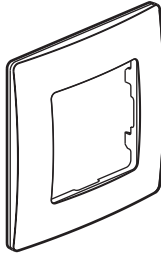
• **Involve the environment in product design and provide informations in compliance with ISO 14025**

Reduce the environmental impact of products over their whole life cycle.

Provide our customers with all relevant information [composition, consumption, end of life, etc.].



REFERENCE PRODUCT

Function	Allow the connection to a 250 V low voltage circuit, according to standards NFC-15100 and IEC 60884-1, with a non-continuous operation (30% of time) during 20 years (household or similar purposes) at 30% of rated load, with rated load not exceeding 16 A.	
Reference Product		
	Cat.No 6 647 31: mechanism	Cat. No 6 650 01: 1 gang plate - White
	2 P+E socket outlet - German Standard - Automatic terminal - Screw mounting - White	

The company reserves the right to change specifications and designs without notice. All illustrations, descriptions, dimensions and weights in the document are for guidance and cannot be held binding on the company.



PRODUCTS CONCERNED

The environmental data is representative of the following products:

Catalogue Numbers (mechanisms)	Catalogue Numbers (plates and accessory)
<ul style="list-style-type: none"> • 6 647 31 • 6 648 31 • 6 645 31 • 6 646 31 	<ul style="list-style-type: none"> • 6 650 01 • 6 650 02 • 6 650 03 • 6 650 04 • 6 650 05 • 6 650 08 • 6 650 09 • 6 650 11 • 6 650 12 • 6 650 13 • 6 650 14 • 6 650 15 • 6 650 99

Product Environmental Profile

Niloé™

2 P+E German Standard Socket - Automatic Terminal
Screw Mounting - White



CONSTITUENT MATERIALS

This Reference Product contains no substances prohibited by the regulations applicable at the time of its introduction to the market. It respects the restrictions on use of hazardous substances as defined in the RoHS directive 2011/65/EU.

Total weight of Reference Product	77 g (with unit packaging)				
Plastics as % of weight		Metals as % of weight		Packaging as % of weight	
PC	41.6 %	Copper alloys	9.2 %	Wood	5.3 %
ABS	15.1 %	Other metal	4.9 %	Paper	18.8 %
PET	2.7 %	Steel	0.9 %	PE	0.6 %
PA	0.6 %			PP	0.1 %
Other plastics	0.2 %				
PS	< 0.1 %				
Total plastics	60.2 %	Total metals	15.0 %	Total others (packaging)	24.8 %

Estimated recycled material content: 19 % by mass.



MANUFACTURE

This Reference Product comes from sites that has received ISO14001 certification.



DISTRIBUTION

Products are distributed from logistics centres located with a view to optimize transport efficiency.

The Reference Product is therefore transported over an average distance of 1405 km by road from our warehouse to the local point of distribution into the market in Europe.

Packaging is compliant with European directive 2004/12/EU concerning packaging and packaging waste. At their end of life, its recyclability rate is 100 % (in % of packaging weight).



INSTALLATION

For the installation of the product, only standard tools are needed.



USE

Under normal conditions of use, this product requires no servicing, no maintenance or additional products.

Product Environmental Profile

Niloé™

2 P+E German Standard Socket - Automatic Terminal
Screw Mounting - White



END OF LIFE

The product end-of-life factors are taken into account during the design phase. Dismantling and sorting of components or materials is made as easy as possible with a view to recycling or failing that, another form of reuse.

• Recyclability rate:

Calculated using the method described in technical report IEC/TR 62635, the recyclability rate of the product is estimated at 97 %. This value is based on data collected from a technological channel using industrial procedures. It does not pre-validate the effective use of this channel for end-of-life electrical and electronic products.

Separated into:

- plastic materials (excluding packaging) : 57 %
- metal materials (excluding packaging) : 15 %
- packaging (all types of materials) : 25 %



ENVIRONMENTAL IMPACTS

The evaluation of environmental impacts examines the stages of the Reference Product life cycle: manufacturing, distribution, installation, use and end-of-life. It is representative from products marketed and used in Europe, in compliance with the local current standards.

For each phase, the following modelling elements were taken in account:

Manufacture	Materials and components of the product, all transport for the manufacturing, the packaging and the waste generated by the manufacturing.
Distribution	Transport between the last Group distribution centre and an average delivery point in the sales area.
Installation	The end of life of the packaging.
Use	<ul style="list-style-type: none"> • Product category: passive product. • Use scenario: non-continuous operation for 20 years at 30% of rated load, during 30% of the time. This modelling duration does not constitute a minimum durability requirement. • Energy model: Europe - 2002.
End of life	The default end of life scenario maximizing the impacts.
Software and database used	EIME V5 and its database «CODDE-2015-04»

Product Environmental Profile

Niloé™

2 P+E German Standard Socket - Automatic Terminal Screw Mounting - White



SELECTION OF ENVIRONMENTAL IMPACTS

	Total for Life cycle		Raw material and manufacture		Distribution		Installation		Use		End of life	
Global warming	3.25E+00	kgCO₂ eq.	5.53E-01	17%	5.40E-03	< 1%	1.17E-03	< 1%	2.68E+00	83%	6.31E-03	< 1%
Ozone depletion	8.62E-07	kgCFC-11 eq.	2.11E-07	24%	1.09E-11	< 1%	8.21E-12	< 1%	6.51E-07	76%	1.47E-10	< 1%
Acidification of soils and water	2.09E-02	kgSO₂ eq.	5.95E-04	3%	2.42E-05	< 1%	5.58E-06	< 1%	2.03E-02	97%	2.44E-05	< 1%
Water eutrophication	9.89E-04	kg(PO₄)³⁻ eq.	1.89E-04	19%	5.57E-06	< 1%	5.26E-06	< 1%	7.60E-04	77%	2.94E-05	3%
Photochemical ozone formation	1.05E-03	kgC₂H₄ eq.	8.93E-05	8%	1.72E-06	< 1%	3.96E-07	< 1%	9.58E-04	91%	1.89E-06	< 1%
Depletion of abiotic resources - elements	2.45E-05	kgSb eq.	2.44E-05	99%	2.16E-10	< 1%	5.15E-11	< 1%	1.22E-07	< 1%	3.90E-10	< 1%
Total use of primary energy	6.46E+01	MJ	1.01E+01	16%	7.63E-02	< 1%	1.68E-02	< 1%	5.43E+01	84%	9.60E-02	< 1%
Net use of fresh water	1.10E-02	m³	4.01E-03	36%	4.83E-07	< 1%	3.57E-07	< 1%	6.99E-03	64%	5.10E-06	< 1%
Depletion of abiotic resources - fossil fuels	3.53E+01	MJ	7.47E+00	21%	7.58E-02	< 1%	1.63E-02	< 1%	2.76E+01	78%	8.93E-02	< 1%
Water pollution	3.29E+02	m³	2.14E+02	65%	8.87E-01	< 1%	1.80E-01	< 1%	1.13E+02	34%	7.35E-01	< 1%
Air pollution	2.20E+02	m³	1.04E+02	47%	2.21E-01	< 1%	1.30E-01	< 1%	1.15E+02	52%	7.03E-01	< 1%

The values of the 27 impacts defined in the PCR-ed3-EN-2015 04 02 are available in the digital database of pep-ecopassport.org website.

For products covered by the PEP other than the Reference product, the environmental impacts of each phase of the lifecycle are calculated following the extrapolation rule described on page 5 / 5.

Product Environmental Profile

Niloé™

2 P+E German Standard Socket - Automatic Terminal Screw Mounting - White



SELECTION OF ENVIRONMENTAL IMPACTS

The environmental impacts refer to a complete configuration composed by a mechanism and a plate.

The environmental impacts are obtained by multiplying those of the Reference Product by the following coefficients:

	Manufacturing	Distribution	Installation	Use	End of life
6 647 31 + plate 6 650 09 (per 100)	1	1	1	1	1
6 648 31 (Ivory version)	1	1	1.4	1	1
6 647 31 + 6 650 08 plate (2 gang for renovation)	2	2.5	3.5	2	2

	Manufacturing	Distribution	Installation	Use	End of life
6 645 31	1	1	1	1	1
6 646 31	1	1.3	1.4	1	1

For the multi-gang configurations, the full environmental impacts of the Reference Product have to be multiplied by the number of installed products.

Registration N°: LGRP-00037-V01-01-EN	Drafting rules: «PEP-PCR-ed3-EN-2015 04 02» Supplemented by «PSR-0005-ed1-2012 12 11»
Verifier accreditation N°: VH23	Information and reference documents : www.pep-ecopassport.org
Date of issue: 04-2016	Validity period: 5 years
Independent verification of the declaration and data, in compliance with ISO 14025:2010 Internal <input checked="" type="checkbox"/> External <input type="checkbox"/>	
The PCR review was conducted by a panel of experts chaired by Philippe Osset (SOLINNEN)	
The elements of the present PEP cannot be compared with elements from another program	
Document in compliance with ISO 14025 : 2010: «Environmental labels and declarations. Type III environmental declarations»	
Environmental data in alignment with EN 15804 : 2012 + A1 : 2013	

